

2/2 dir. contr. proportional valve for water and oil hydraulics

DN 25 to DN 100
Operating pressures up to 320 bar

- Pilot-controlled proportional valves
- Pilot-control by means of own medium
- Leakage-free sealing on valve seat
- Force-controlled working piston
- Smooth switching, no shock impacts

- Wear parts are easy to access and fast to replace
- Actuation magnet is protected against dirt and humidity
- The proportional valve can be driven by a position control card BLS1 only



Application

The 2/2 directional control proportional valves are particularly suitable for HFA liquids and clear water up to operating pressures of 320 bar maximum. Via proportional pilot-control valves, the volume flow through the opening cross-section and the pressure difference on the valve are determined.

Technical Data

Type

Fitted seat valve

control press.

=system pressure, min. 25 bar

Contr. medium

Own medium

Press. fluid

HFA acc. to CETOP or VDMA standard sheet 24320 with 95% water and 5% Additives, non-lubricated water (clear water), min. oil acc. to DIN 51524 and 51525

Contr. medium return

separate and depressurized into the tank

Max. operating pressure

320 bar

Flow

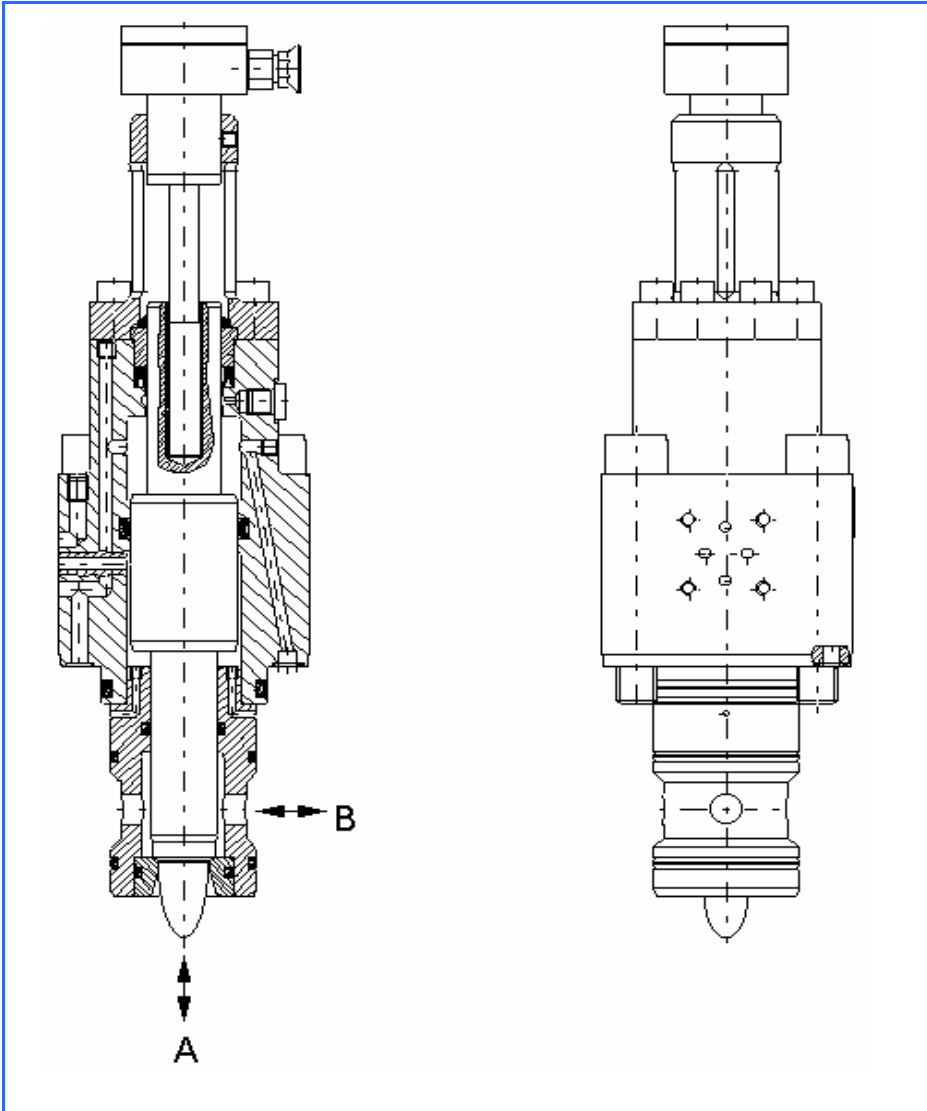
Table 1

temperature

to 45°C

Pilot-

see
Fluid
5°C



Symbol

Table 1

