

Pressure relief valve,
direct controlled
DN 6 and DN 10

for water and oil
max. 320 bar

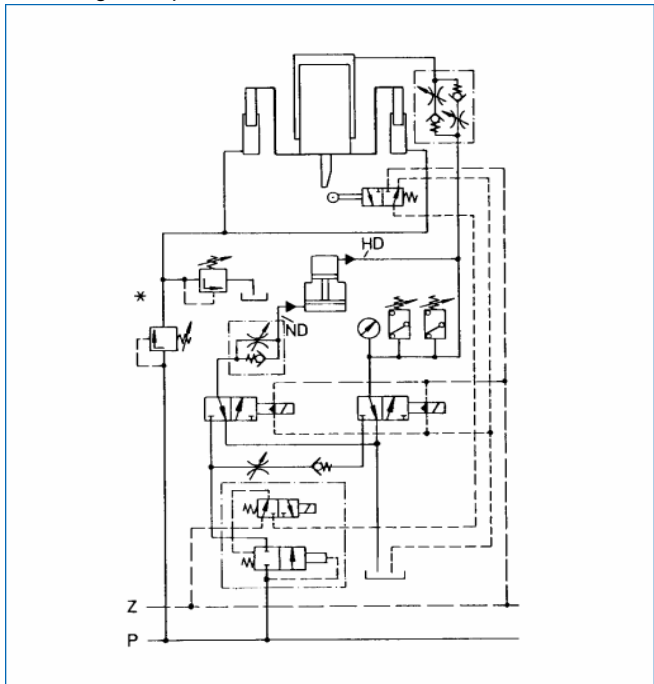
Description

Pressure limiting valves are used to limit a system pressure in the hydraulics. They were specially developed for water hydraulics. Using these pressure limiting valves post-connected valves or cylinders can be supplied with a continuously controllable reduced pressure in accordance with the circuit diagram. Pressure limiting valves are sealed by pressing two metal cones against one another. The max. working pressure should not exceed 320 bar.

Special features

The pressure limiting valves are secured against auto-turning by means of locknuts. The pressure limiting valves can be supplied as fitted or mounting valves. All wear parts are made of corrosion resistant materials, easy to access and fast to replace. Pressure limiting valves can be mounted in any position.

Mounting example



* pressure limiting valve

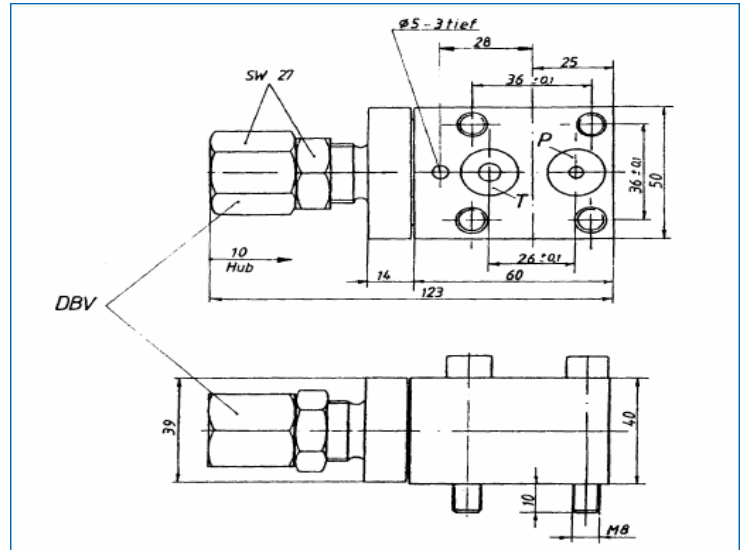
TIEFENBACH

Wasserhydraulik

Water-hydraulics . Systems . Valves . Valve-magnets . Spare parts . Repairs

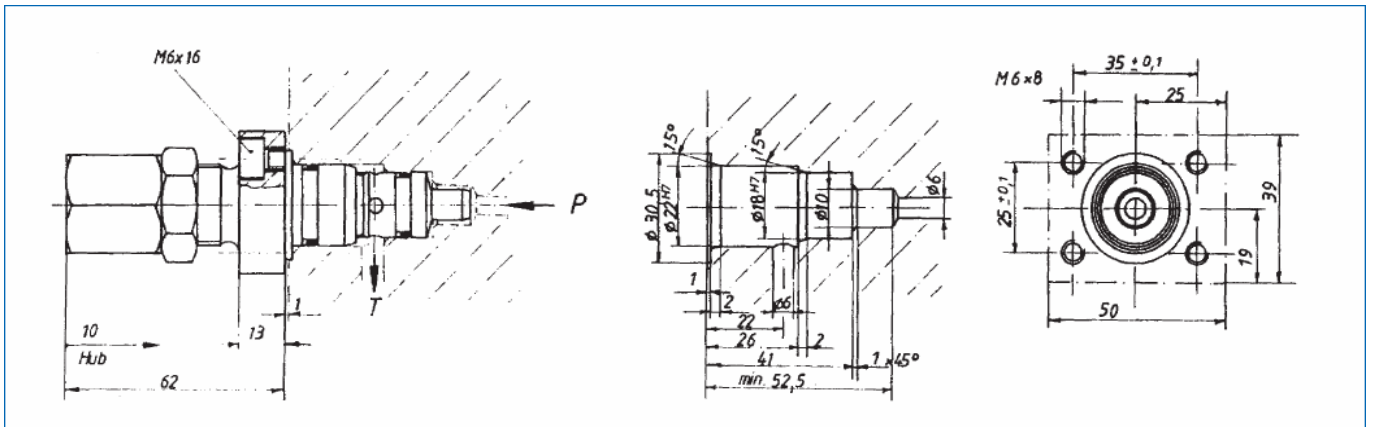
pressure level	type or order No.	symbol
150 - 350 bar	DBV - 22447	
10 - 150 bar	DBV - 22425	
10 - 160 bar	DBVE - 32748	
150 - 350 bar	DBVE 32757	

connections / ports
 P = O-ring 12x2,5
 T = O-ring 12x2,5



fitted dimensions DBV

fitted dimensions DBVE



pressure level	type or order No..	symbol
0 - 180 bar	DBV - 203358	
180 - 350 bar	DBV - 231445	

connections / ports
 P = O-ring 15x2,5
 T = O-ring 15x2,5

