

Double throttle check valve
NW10 to NW65

for water and oil max. 320 bar for flange connection

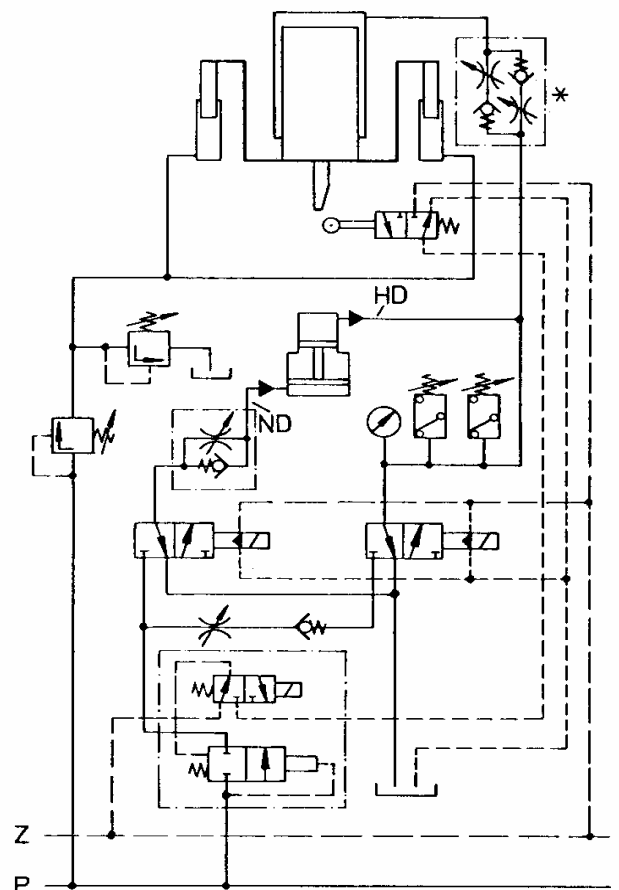
Description

Double throttle check valves in the series DRVK 2/10-65 are a combination comprising two throttles with throttle pinions and two check valves in a cone seat design. They were specially developed for water hydraulics. Using these double throttle check valves a fluid flow can be continuously controlled from A to B by means of throttle 1, and in the opposite direction from B to A by means of throttle 2 - in accordance with the symbol attached. The flow rate depends on the differential pressure and viscosity. The construction type of the throttles provides for a possible blocking in both flow directions. The throttles as well as the check valves are sealed by pressing two metal cones against one another. The opening stroke of the check valve cones is provided with an end position damping and dimensioned such that when the return flow starts a fast closure of the check valves is assured. The opening pressure of the check valves is 1 bar. The max. working pressure must not exceed 320 bar.

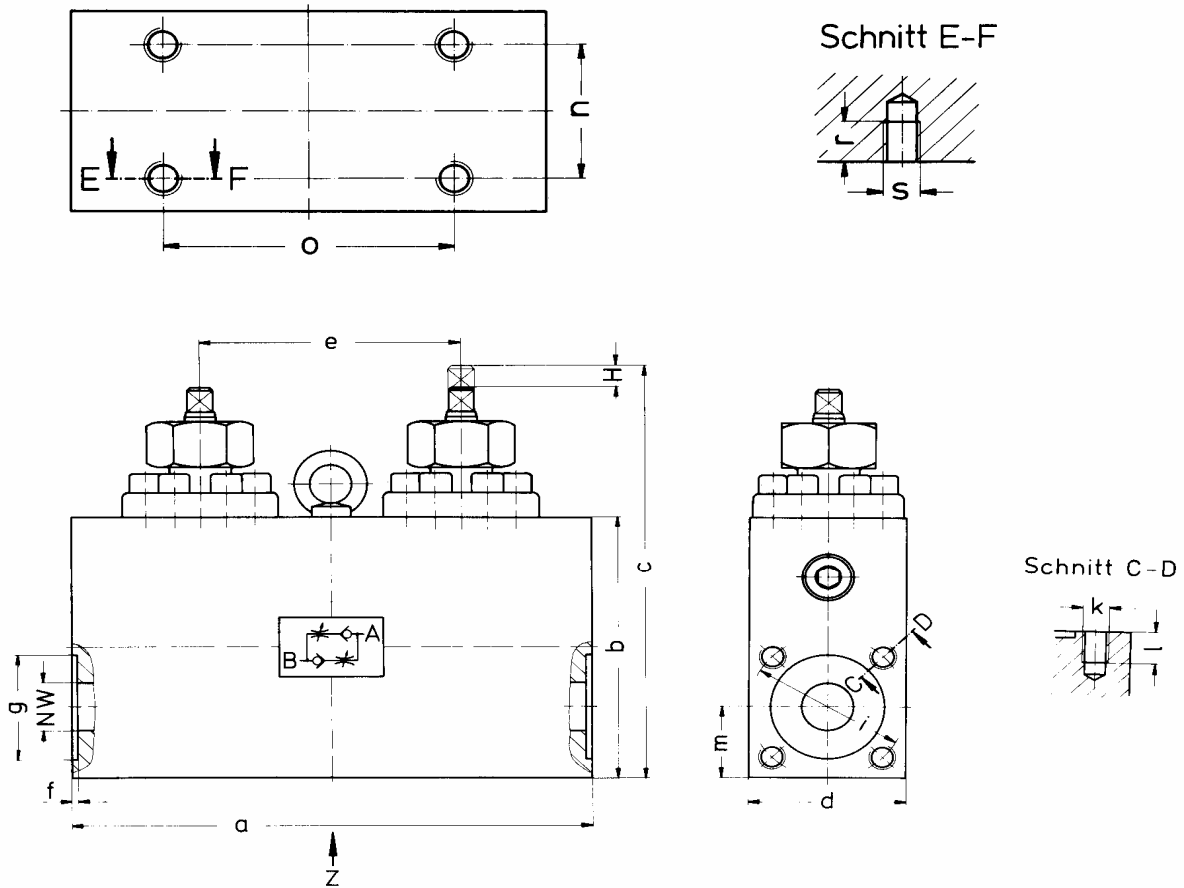
Special features

The adjustable throttles can be adjusted under pressure. They are secured against auto-turning by means of locknuts. Throttles and throttle seats are easy to replace. The valve cones of the check valves as well as the closing springs are fitted in an extremely flow-promoting fitted cartridges. A double guide for the valve cones provides for a perfect seal on the valve seat. The closing springs are chambered such that medium cannot flow through the same. Thus, in the event of any spring fracture occurring it is impossible for debris to enter into the circuit. Double throttle check valves of this type are almost insensitive with regard to the high flow speeds occurring in hydraulic press water systems. All wear parts are made of corrosion resistant materials, are easy to access and fast to replace. The mounting position can be freely chosen.

Mounting example



* Double throttle check valve



Typ-Best.-Nr.	NW	A	B	H	a	b	c	d	e	f	g	i	k	l	m	n	o	r	s
10/DRVK2/315	10	FA10	FA10	10	140	75	134	50	60	2	∅ 28	44	M10	18	25	32	60	10	M 8
		ATI	ATI																
15/DRVK2/315	15	FA15	FA15	12	190	95	153	60	90	2	∅ 38	54	M10	18	30	40	130	14	M 8
		ATI	ATI																
25/DRVK2/315	25	FA25	FA25	13	230	125	208	80	120	2	∅ 55	72	M12	20	40	50	160	14	M10
		ATI	ATI																
32/DRVK2/315	32	FA32	FA32	20	260	145	243	90	140	2	∅ 60	80	M16	22	45	60	170	18	M12
		ATI	ATI																
40/DRVK2/315	40	FA40	FA40	22	280	165	273	100	140	2	∅ 76	98	M16	22	50	70	200	18	M12
		ATI	ATI																
50/DRVK2/315	50	FA50	FA50	30	390	210	340	120	210	2	∅ 92	118	M20	23	60	80	290	20	M16
		ATI	ATI																
65/DRVK2/315	65	FA65	FA65	38	470	250	403	150	270	2	∅110	145	M24	25	75	110	340	25	M20
		ATI	ATI																