

Fitted
check valve
NW 10 to 100

for water and oil max. 320 bar

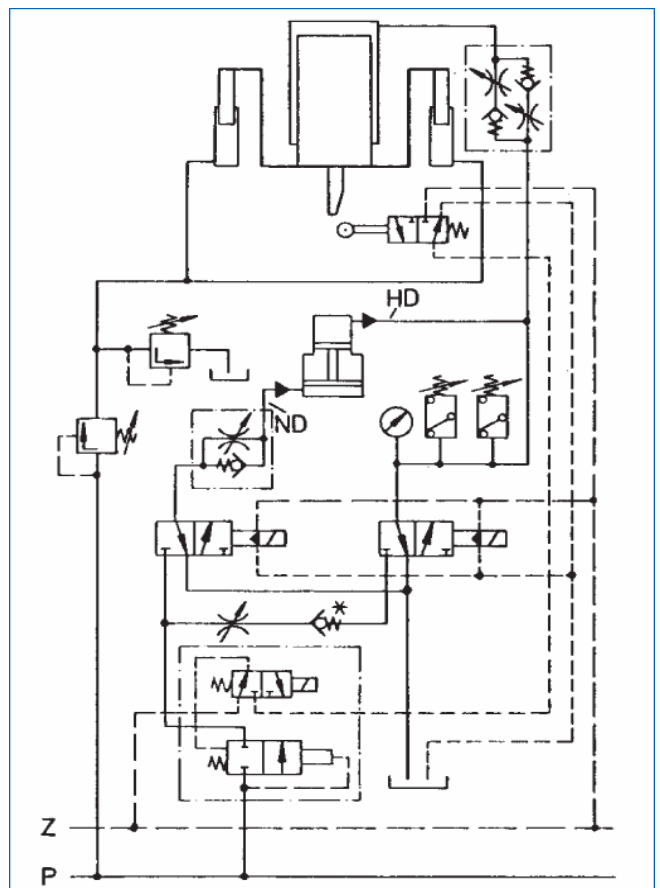
Description

The fitted check valves are cone seat valves. Sealing is effected by pressing together of two metal cones. They were specially developed for water hydraulics. The check valves have a free passage from A to B and seal off in the opposite direction without any leakage. The opening pressure is 1 bar. Working pressure should not exceed 320 bar. However, the check valves are also available for other opening pressures as well as without closing spring. Please state opening pressure required when ordering.

Special features

The valve cone as well as the closing spring are fitted in an extremely flow-promoting fitted cartridge. A double guide for the valve cone provides for a perfect seal on the valve seat. The closing spring is chambered such that medium cannot flow through the same. Thus, in the event of any spring fracture occurring it is impossible for debris to enter into the circuit. Check valves of this type are almost insensitive with regard to the high flow speeds occurring in hydraulic press water systems. All wear parts are made of corrosion resistant materials, are easy to access and fast to replace. The mounting position can be freely chosen.

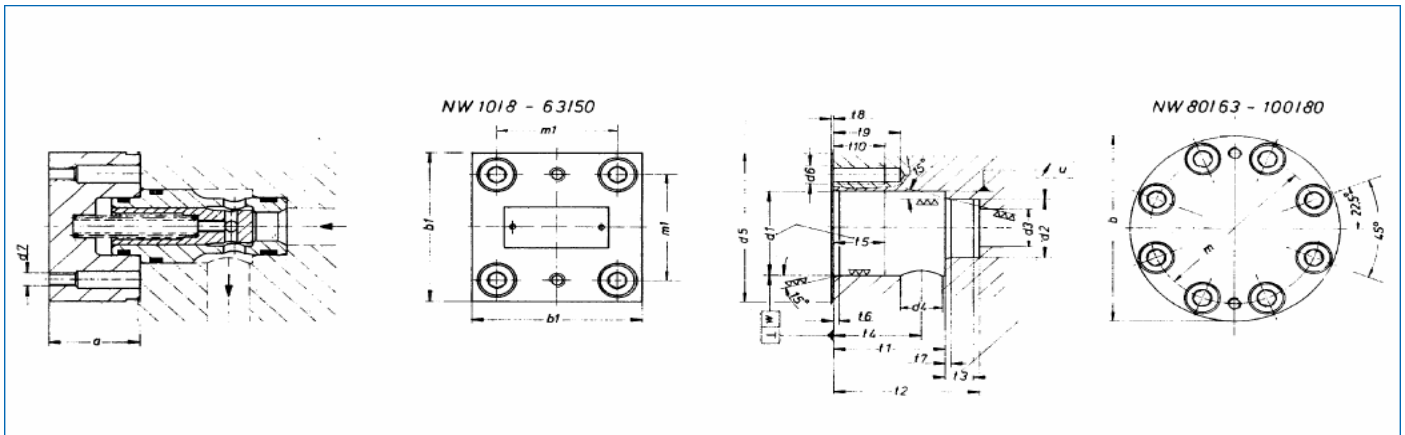
Mounting example



TIEFENBACH

Wasserhydraulik

Water-hydraulics . Systems . Valves . Valve-magnets . Spare parts . Repairs



Nennweite	1018	16/12	25/16	32/25	40/32	50/40	63/50
a	30	35	45	50	60	70	100
b1	45	65	85	102	125	140	180
d1 ^{H7}	25	32	45	60	75	90	120
d2 ^{H7}	18	25	34	45	55	68	90
d3	10	16	25	32	40	50	63
d4	min. 10	16	25	32	40	50	63
d4	max.						
d5	46	66	86	103	126	141	181
d6	M6	M8	M12	M16	M20	M20	M30
d7				M8	M8	M8	M8
m1	±0.2	30	46	58	70	85	100
f1	±0.1	31	43	58	70	87	100
f2	±0.1	43	56	72	85	105	122
f3		11	12	13	15	17	20
f4	bei d4 min.	25	34	44	52	64	72
f4	bei d4 max.						
f5	20	20	30	30	30	35	40
f6	2	2	2.5	2.5	3	4	4
f7	2	2	2.5	2.5	3	4	4
f8	0.5	0.5	0.5	0.5	0.5	0.5	0.5
f9	max. 18	25	31	42	53	53	75
f10	14	20	25	35	45	45	65
u	0,03	0,03	0,03	0,03	0,05	0,05	0,05
w	0,05	0,05	0,05	0,1	0,1	0,1	0,2

Nennweite	80/63	100/80	
a	120	140	
b	250	300	
d1 ^{H7}	145	180	
d2 ^{H7}	110	135	
d3	80	100	
d4	min. 80	100	
d4	max.		
d5	252	302	
d6	M24	M30	
d7	M8	M10	
m	±0.2	200	245
f1	±0.2	175	210
f2	±0.2	205	245
f3		25	29
f4	bei d4 min.	130	155
f4	bei d4 max.		
f5	40	50	
f6	5	5	
f7	5	5	
f8	0.5	0.5	
f9	max. 57	73	
f10	50	63	
u	0,05	0,05	
w	0,2	0,2	