



2/2 directional control and 3/2 directional control block valve NW9

for water and oil
max. 320 bar for plate mounting

Description

Pilot-controlled NW 9 valves can be used in control systems or, in combination with a mounting plate, as individual valves. As 3/2 directional control intermediate valves they are also used to increase the nominal width of the pilot-control valve. Thus it is possible to achieve faster switching times. The working piston of the valve is supported at two points and fed outside through the valve housing. The valve is sealed by pressing two metal surfaces

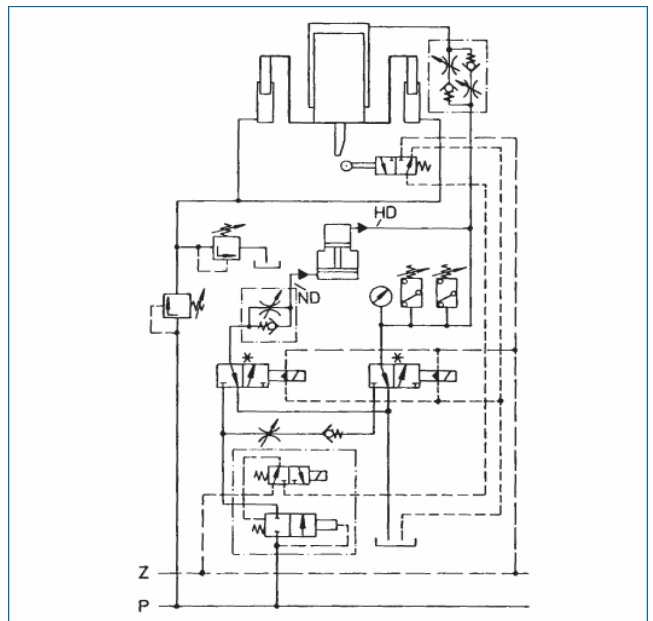
against one another. In contrast to slide valves there are no leakage losses in the closure of the valve. There are no particular requirements as regards the lubrication capability of the medium. Via the associated pilot-control valve, the valves can be operated manually, mechanically, pneumatically, hydraulically or electrically using direct or alternating current. They are also available in protection class (Sch) and (Ex) d2/G5. For all standard supply voltages, there are control electromagnets.

Special features

The valves are insensitive against vibrations and pressure surges in the hydraulic system. The emergency manual controls fitted as standard can be locked in position and are accessible only by removing the type plates; they are thus protected against accidental activation. The respective switching position of the valve pistons can be detected optically. Valve response times are fast. All wear parts are made of corrosion resistant materials, easy to access, and fast to replace.

Mounting example:

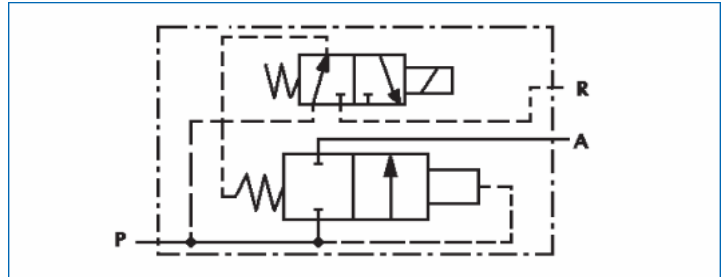
* 3/2 directional control
valve



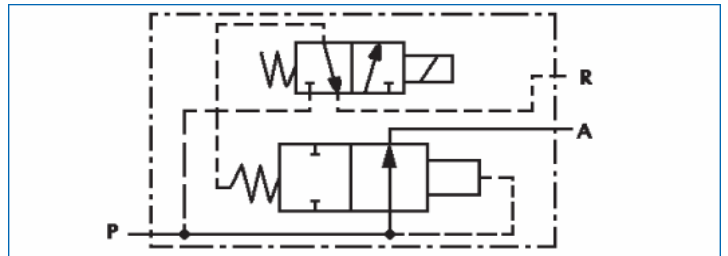
3/2 directional control valve NW 9

positive
in rest position: closed

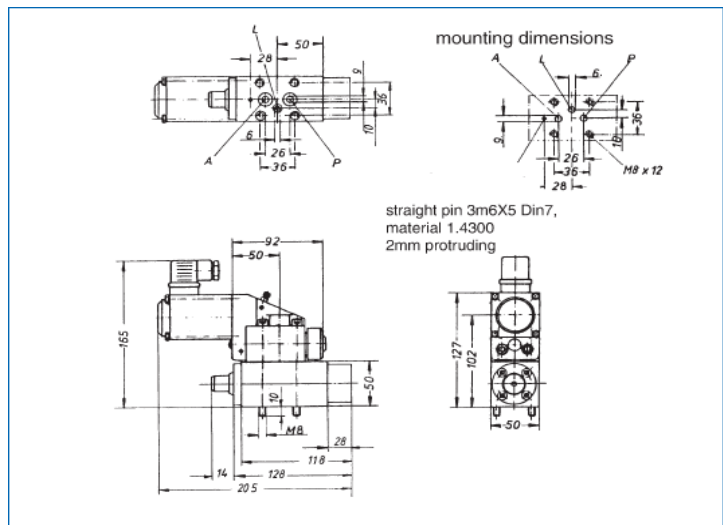
Symbol



negative
in rest position: open



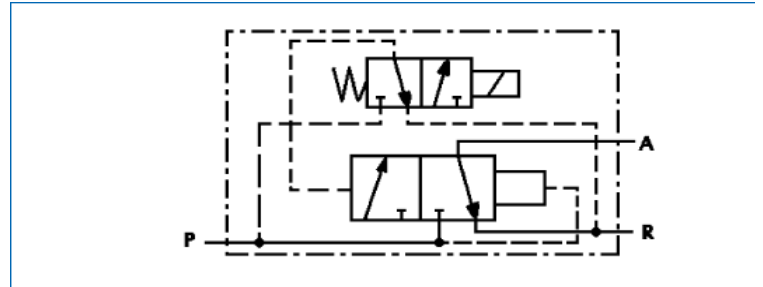
O-ring seal for connections 2/2 W				
NW	P	A	L	
9	12*2,5	12*2,5	8*2	



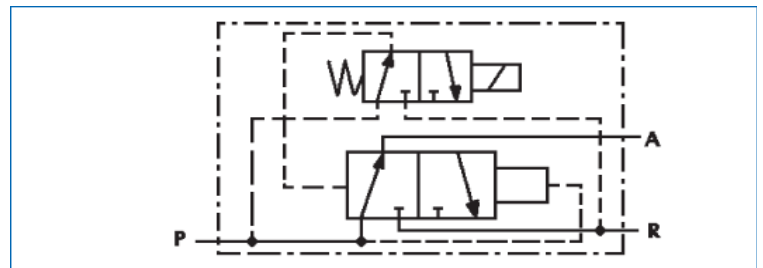
2/2 directional control valve NW 9

positive
in rest position: closed

Symbol



negative
in rest position: open



O-ring seal for connections 3/2 W				
NW	P	A	L	
9	12*2,5	8*2	12*2,5	

